



Please contact us at: www.fireline.com | 410.247.1422



Fire Alarms and Emergency Communication Systems

These life safety systems protect your people by alerting them when smoke and heat detectors have activated.



Monitoring Systems

These systems connect your fire protection systems to a central monitoring station which can summon emergency services when needed.



Special Hazard Fire Suppression Systems

These gaseous-based systems protect your mission critical assets such as control rooms, data centers, specialized equipment, and records storage.



Fire Sprinkler Systems

These water-based systems protect your property by automatically activating during a fire.



Exit & Emergency Lights

These lights provide guidance and visibility to people during an emergency situation.



Fire Standpipe and Hose Systems

These water-based systems provide fire hose access to firefighters inside your building.



Fire Pumps

These critical components deliver increased water flow to both the fire sprinkler and standpipe systems.



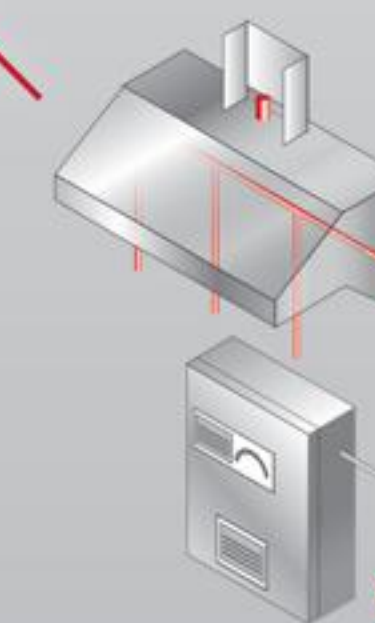
Backflow Preventers

These assemblies protect your potable water from contamination due to backflow.



Fire Extinguishers

These devices are available throughout your building to be used to extinguish a controllable fire.



Kitchen Hood Fire Suppression Systems

These wet chemical-based systems protect your commercial cooking operations during an uncontrolled fire.

